



SCHROEDER RACING PRODUCTS

2070 Floyd St.
Burbank, CA 91504
818-565-1133
FAX 818-565-1134

Information needed to place Steering Order

Ratio: 12 to 1 or 16 to 1 (slowest) _____

C dimension: 3/4"-48 Coupler @ C-9" (Shortest) _____
Column Shafts Available:

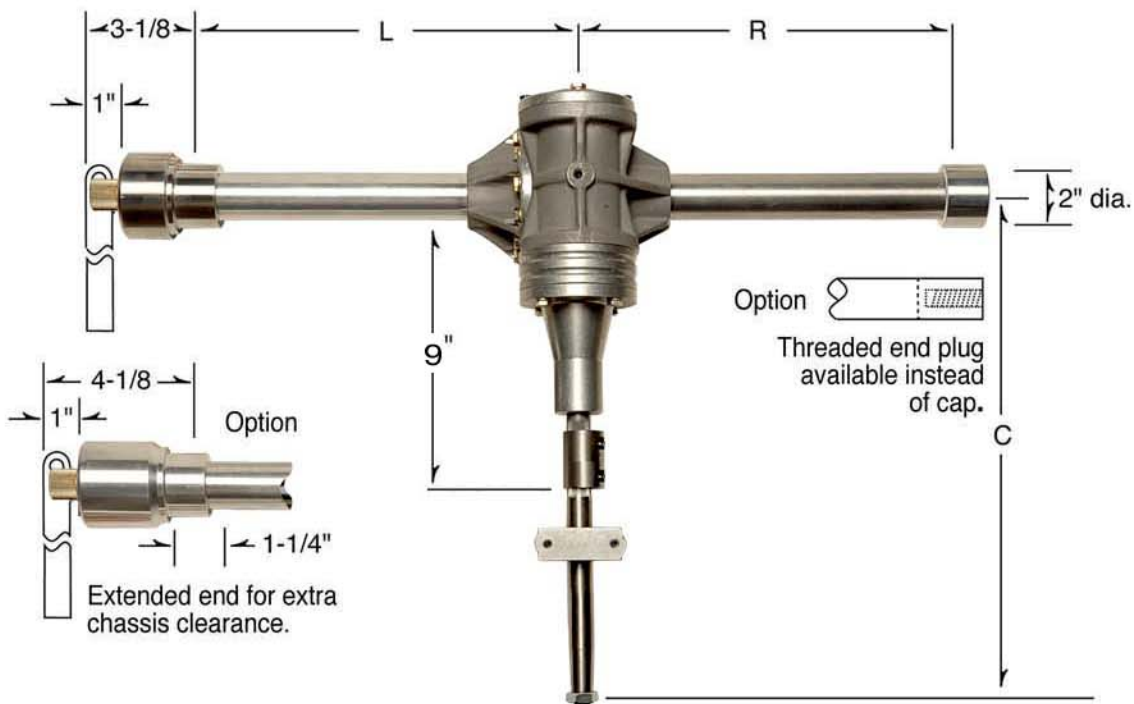
- Standard - 20mm to fit Schroeder Column supports - 12 to 24" length in 2" increments.
- Optional - 3/4" dia. to fit enclosed column or 3/4" support bearing - 12 - 24" length in 2" increments.
- ★ *Special length - additional cost.*

L dimension: Standard sizes 8 to 15 inches in 1 inch increments.

☉ of column shaft to center of clamp, shaft side. _____

R dimension: Any length available. _____

Position of worm gear (column shaft): front or back of cross tube. (Forward position shown for left hand steer.) _____



Name: _____

Address: _____

Phone: _____